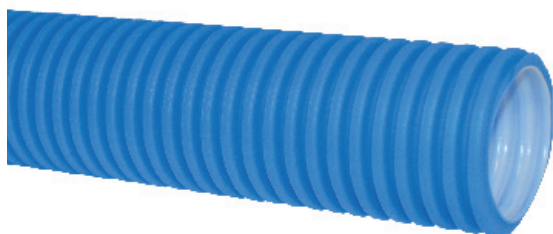


Flexible ducts

# FLX-HDPE/FLX-HDPE-A



## Description

Flexible ducts FLX-HDPE and FLX-HDPE-A are used to distribute air. Comparatively small diameters allow to hide the installation in ceilings, screeding, or suspended ceiling. Moreover, the FLX-HDPE-A-75 duct interior has an antistatic, antibacterial and antimold coating which use silver oxide ions as a base.

Flexible ducts FLX-HDPE and FLX-HDPE-A are press fit with the rest of the installation components. Washers at the connection points guarantee a good system seal.

Flexible ducts FLX-HDPE and FLX-HDPE-A are made of high-impact polyethylene. This results in very high mechanical resistance of the entire system.

Duct interior surface is smooth, which leads to low pressure losses in the installation.

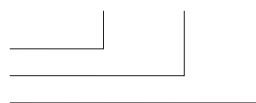
Ducts are wound in 50 mm rings.

Ring dimensions: 1100cm x 40cm.

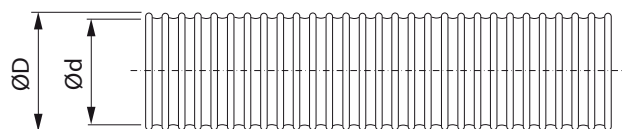
### Example

Product code **FLX - HDPE - 75**

type  
material  
diameter



## Dimensions



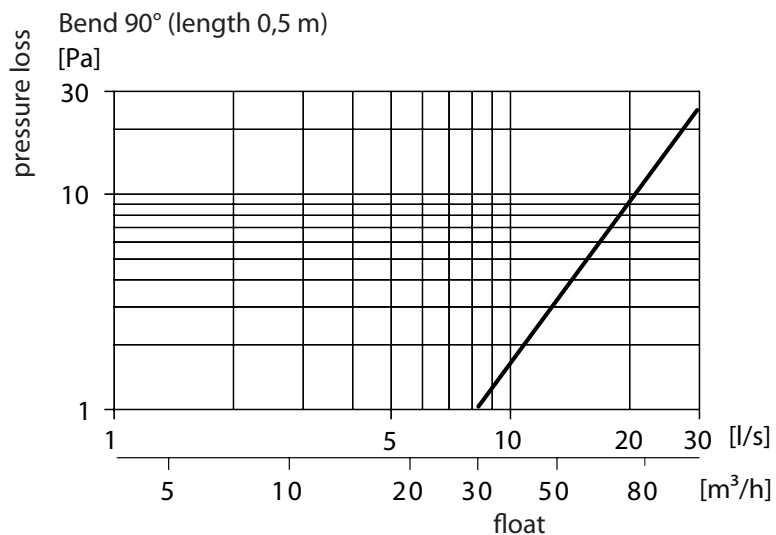
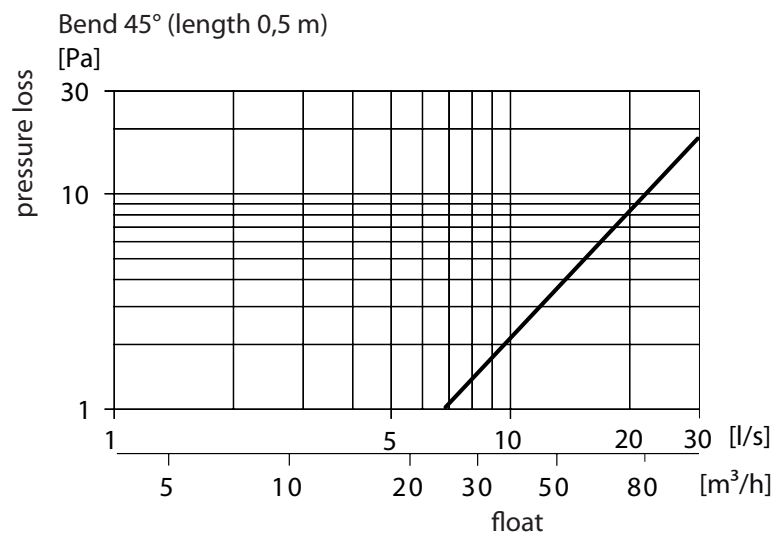
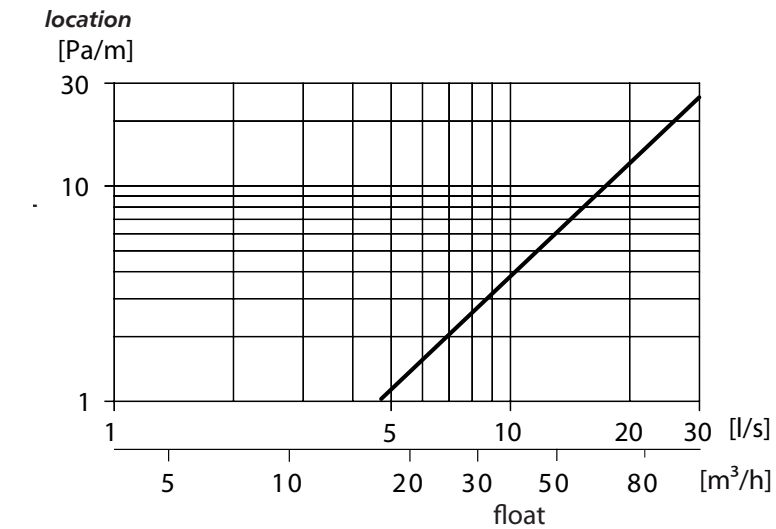
code	ØD nom [mm]	Ød [mm]	weight [kg/mb]
FLX-HDPE-75	75	63	0,31
FLX-HDPE-A-75	75	63	0,31
FLX-HDPE-90	90	75	0,42
FLX-HDPE-A-90	90	75	0,42

Flexible ducts

# FLX-HDPE/FLX-HDPE-A

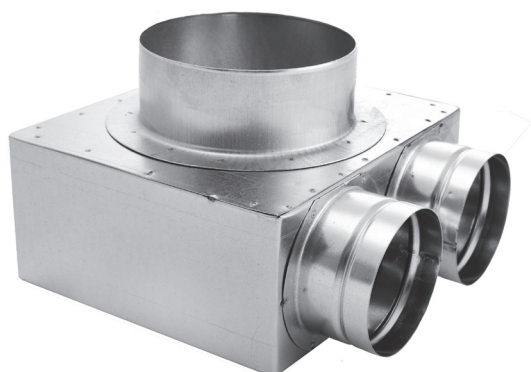
## Technical Data

Selection charts for 75mm of diameters



# Plenum boxes FLX-PRO...

[Download Wentyle](#)  
[Download AlnorCAM](#)  
[Buy via B2B](#)



## Description

FLX-PRO plenum boxes are connecting pieces for FLX-HDPE and FLX-HDPE-A flexible ducts, which form a distribution system for mechanical installations, including recuperator systems. Due to small size, they do not require a lot of space or special installation.

This allows to save more usable interior space.

FLX-PRO plenum boxes are made of galvanized steel.

On special request, it is possible to make the plenum boxes using stainless steel.

It is possible to order insulated FLX-PRI plenum boxes. Plenum boxes are inside insulated with technical insulation with thickness of 9mm. Weldings are made outside the plenum boxes.

### Note:

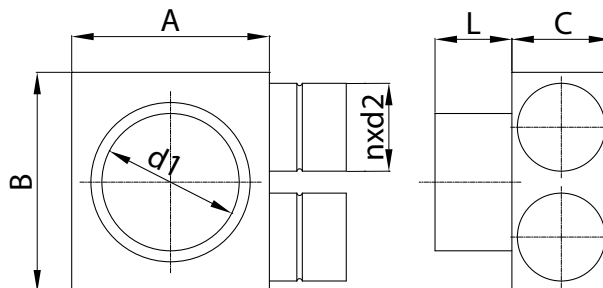
Standard diameter  $d_1$  is made as nippel. On special request diameter  $d_1$  can be made as female dimension.

### Example

Product code **FLX-PRO - 75 - 2**

type \_\_\_\_\_  
 diameter \_\_\_\_\_  
 connection \_\_\_\_\_  
 points \_\_\_\_\_

## Dimensions

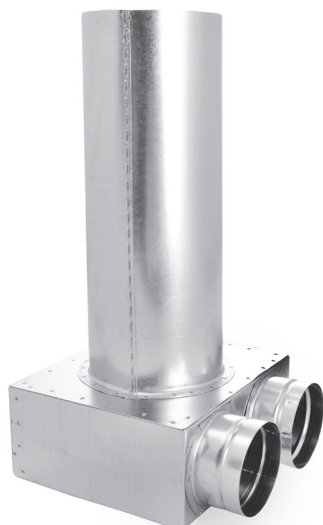


code	A [mm]	B [mm]	C [mm]	L [mm]	d1 [mm]	n [szt.]	d2 [mm]
FLX-PRO-75-2	180	200	90	60	125	2	75
FLX-PRO-75-3	180	300	90	60	125	3	75
FLX-PRO-90-2	200	240	110	60	125	2	90
FLX-PRO-90-3	200	360	110	60	125	3	90

Plenum boxes

# FLX-PRO-L...

[Download Wentyle](#)  
[Download AlnorCAM](#)  
[Buy via B2B](#)



## Description

FLX-PRO-L plenum boxes are connecting pieces for FLX-HDPE and FLX-HDPE-A flexible ducts, which form a distribution system for mechanical installations, including recuperator systems. Due to small size, they do not require a lot of space or special installation.

This allows to save more usable interior space.

FLX-PRO-L plenum boxes are made of galvanized steel.

On special request, it is possible to make the plenum boxes using stainless steel.

It is possible to order insulated FLX-PRI-L plenum boxes. Plenum boxes are inside insulated with technical insulation with thickness of 9mm. Weldings are made outside the plenum boxes.

**Note:**

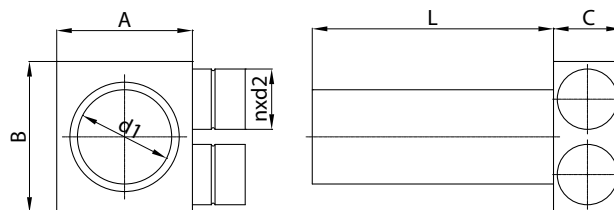
Standard diameter  $d_1$  is made as nippel. On special request diameter  $d_1$  can be made as female dimension.

**Example**

Product code **FLX-PRO-L - 75 - 2**



## Dimensions

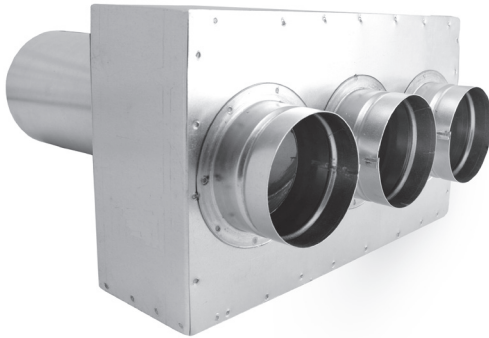


code	A [mm]	B [mm]	C [mm]	L [mm]	d1 [mm]	n [szt.]	d2 [mm]
FLX-PRO-L-75-2	180	200	90	320	125	2	75
FLX-PRO-L-75-3	180	300	90	320	125	3	75
FLX-PRO-L-90-2	200	240	110	320	125	2	90
FLX-PRO-L-90-3	200	360	110	320	125	3	90

# Plenum boxes

## FLX-PRO-PL...

[Download Wentyle](#)  
[Download AlnorCAM](#)  
[Buy via B2B](#)



### Description

FLX-PRO-PL plenum boxes are connecting pieces for FLX-HDPE and FLX-HDPE-A flexible ducts, which form a distribution system for mechanical installations, including recuperator systems.

Due to small size, they do not require a lot of space or special installation. This allows to save more usable interior space. FLX-PRO-PL plenum boxes are made of galvanized steel. On special request, it is possible to make the plenum boxes using stainless steel.

It is possible to order insulated FLX-PRI-PL plenum boxes. Plenum boxes are inside insulated with technical insulation with thickness of 9mm. Weldings are made outside the plenum boxes.

#### Note:

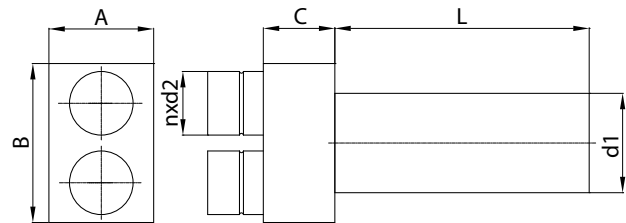
Standard diameter  $d_1$  is made as nippel. On special request diameter  $d_1$  can be made as female dimension.

#### Example

Product code **FLX-PRO-PL - 75 - 2**

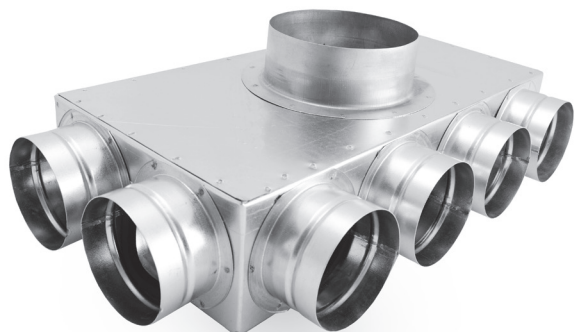
type \_\_\_\_\_  
 diameter \_\_\_\_\_  
 connections \_\_\_\_\_

### Dimensions



code	A [mm]	B [mm]	C [mm]	L [mm]	d1 [mm]	n [szt.]	d2 [mm]
FLX-PRO-PL-75-2	180	200	90	320	125	2	75
FLX-PRO-PL-75-3	180	300	90	320	125	3	75
FLX-PRO-PL-90-2	200	240	110	320	125	2	90
FLX-PRO-PL-90-3	200	360	110	320	125	3	90

# Plenum boxes FLX-PRO...



## Description

FLX-PRO plenum boxes are connecting pieces for FLX-HDPE and FLX-HDPE-A flexible ducts, which form a distribution system for mechanical installations, including recuperator systems. Due to small size, they do not require a lot of space or special installation. This allows to save more usable interior space. FLX-PRO plenum boxes are made of galvanized steel. On special request, it is possible to make the plenum boxes using stainless steel.

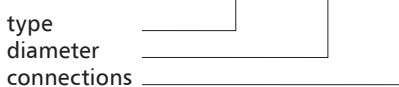
It is possible to order insulated FLX-PRI plenum boxes. Plenum boxes are inside insulated with technical insulation with thickness of 9mm. Weldings are made outside the plenum boxes.

### Note:

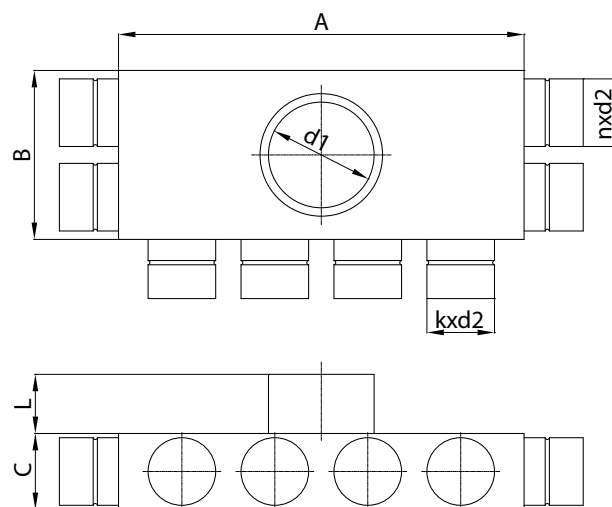
Standard diameter  $d_1$  is made as nipple. On special request diameter  $d_1$  can be made as female dimension.

### Example

Product code **FLX-PRO - 75 - 2-4-2**



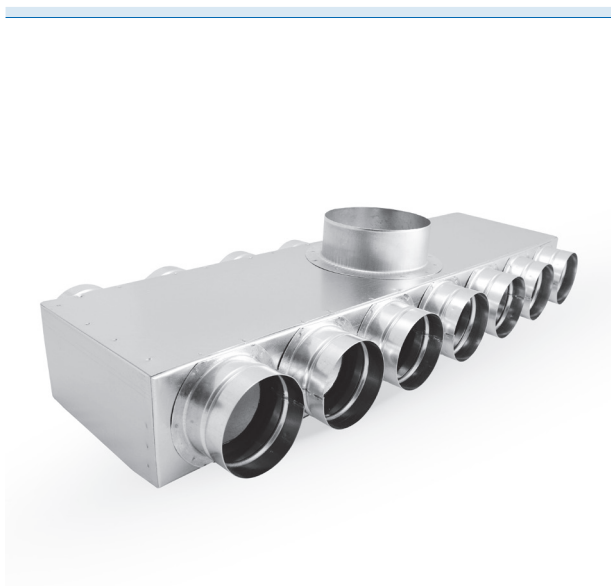
## Dimensions



code	A [mm]	B [mm]	C [mm]	L [mm]	d1 [mm]	n [szt]	k [szt]	d2 [mm]
FLX-PRO-75-2-4-2	400	200	90	60	160	4	4	75
FLX-PRO-75-3-6-3	600	300	90	60	200	6	6	75
FLX-PRO-90-2-4-2	480	240	110	60	160	4	4	90
FLX-PRO-90-3-6-3	720	360	110	60	200	6	6	90

# Plenum boxes FLX-PRO...

[Download Wentyle](#)  
[Download AlnorCAM](#)  
[Buy via B2B](#)



## Description

FLX-PRO plenum boxes are connecting pieces for FLX-HDPE and FLX-HDPE-A flexible ducts, which form a distribution system for mechanical installations, including recuperator systems. Due to small size, they do not require a lot of space or special installation. This allows to save more usable interior space. FLX-PRO plenum boxes are made of galvanized steel. On special request, it is possible to make the plenum boxes using stainless steel. It is possible to order insulated FLX-PRI plenum boxes. Plenum boxes are inside insulated with technical insulation with thickness of 9mm. Weldings are made outside the plenum boxes.

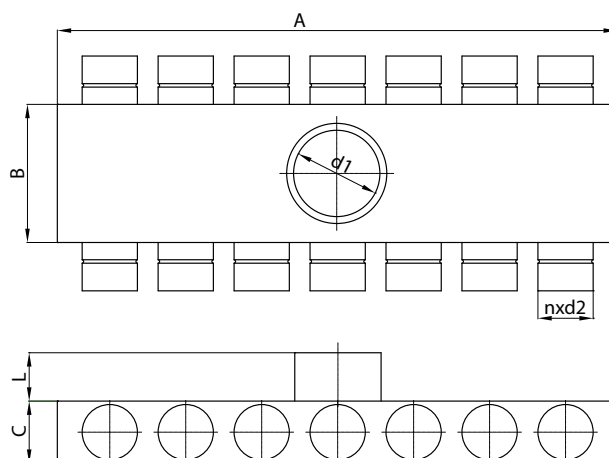
Note:  
Standard diameter  $d_1$  is made as nippel. On special request diameter  $d_1$  can be made as female dimension.

### Example

Product code **FLX-PRO - 75 - 7-7**

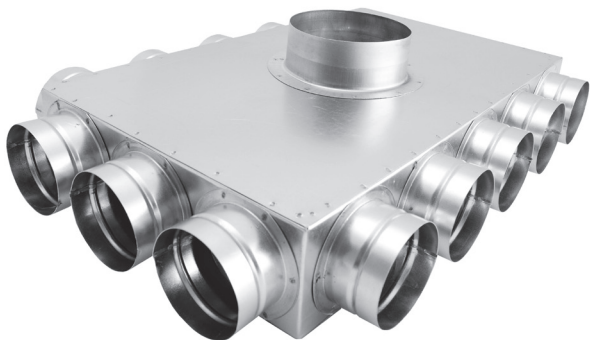
type \_\_\_\_\_  
diameter \_\_\_\_\_  
connections \_\_\_\_\_

## Dimensions



code	A [mm]	B [mm]	C [mm]	L [mm]	d1 [mm]	n [szt]	d2 [mm]
FLX-PRO-75-7-7	700	300	90	60	200	14	75
FLX-PRO-90-7-7	840	360	110	60	200	14	90

# Plenum boxes FLX-PRO...



## Description

FLX-PRO plenum boxes are connecting pieces for FLX-HDPE and FLX-HDPE-A flexible ducts, which form a distribution system for mechanical installations, including recuperatory stems. Due to small size, they do not require a lot of space or special installation. This allows to save more usable interior space. FLX-PRO plenum boxes are made of galvanized steel. On special request, it is possible to make the plenum boxes using stainless steel.

It is possible to order insulated FLX-PRI plenum boxes. Plenum boxes are inside insulated with technical insulation with thickness of 9mm. Weldings are made outside the plenum boxes.

### Note:

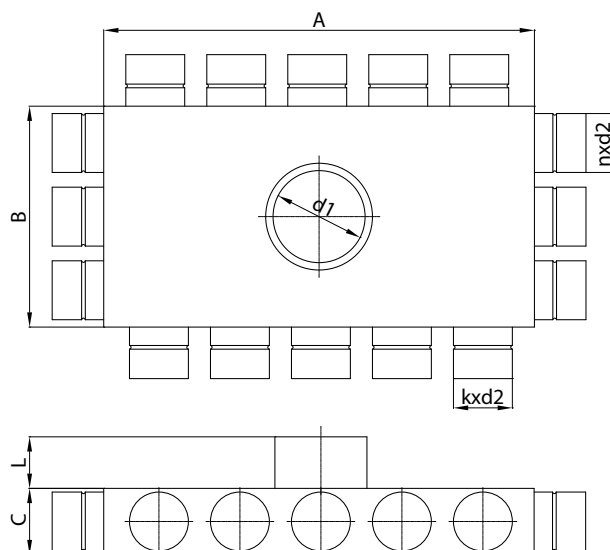
Standard diameter  $d_1$  is made as nipple. On special request diameter  $d_1$  can be made as female dimension.

### Example

Product code **FLX-PRO - 75 - 3-5-3-5**



## Dimensions

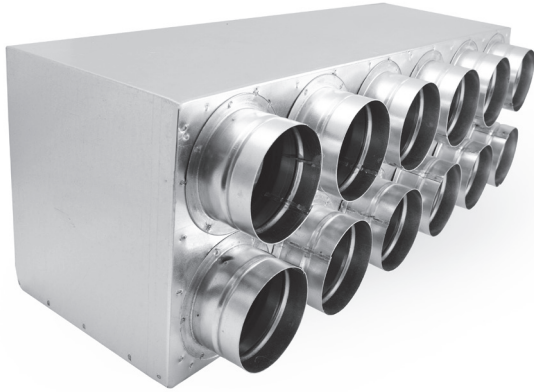


code	A [mm]	B [mm]	C [mm]	L [mm]	d1 [mm]	n [szt]	k [szt]	d2 [mm]
FLX-PRO-75-3-5-3-5	500	300	90	60	200	6	10	75
FLX-PRO-75-3-6-3-6	600	300	90	60	200	6	12	75
FLX-PRO-90-3-5-3-5	600	360	110	60	200	6	10	90
FLX-PRO-90-3-6-3-6	720	360	110	60	200	6	12	90



# Plenum boxes

## FLX-PRO-P...



### Description

FLX-PRO-P plenum boxes are connecting pieces for FLX-HDPE and FLX-HDPE-A flexible ducts, which form a distribution system for mechanical installations, including recuperator systems.

Due to small size, they do not require a lot of space or special installation. This allows to save more usable interior space. FLX-PRO plenum boxes are made of galvanized steel.

On special request, it is possible to make the plenum boxes using stainless steel.

It is possible to order insulated FLX-PRI-P plenum boxes. Plenum boxes are inside insulated with technical insulation with thickness of 9mm. Weldings are made outside the plenum boxes.

#### Note:

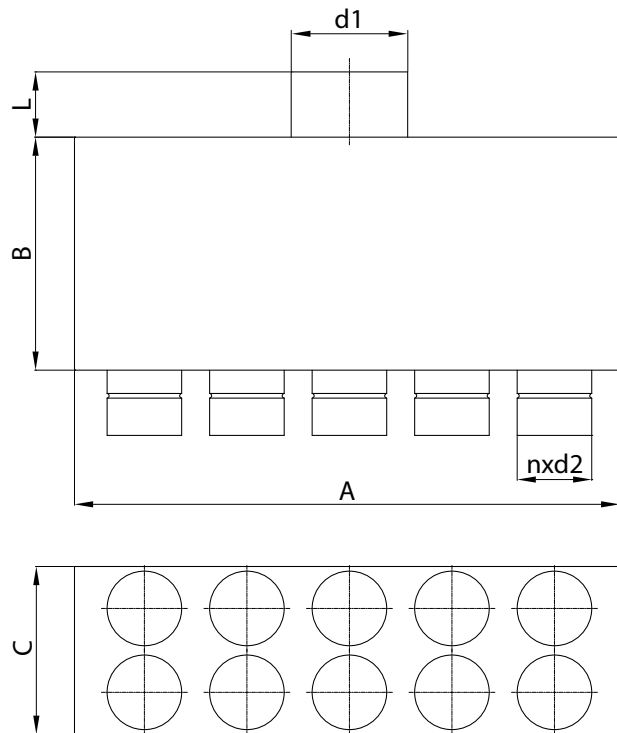
Standard diameter  $d_1$  is made as nipple. On special request diameter  $d_1$  can be made as female dimension.

#### Example

Product code **FLX-PRO-P - 75 - 10**

type \_\_\_\_\_  
 diameter \_\_\_\_\_  
 connections \_\_\_\_\_

### Dimensions



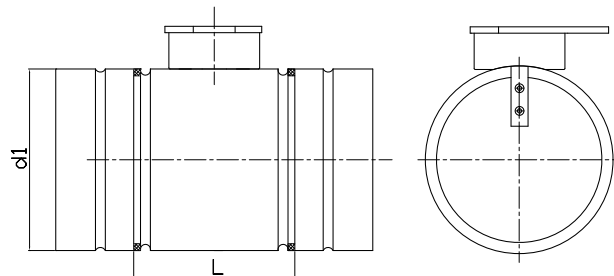
code	A [mm]	B [mm]	C [mm]	L [mm]	d1 [mm]	n [szt.]	d2 [mm]
FLX-PRO-P-75-10	500	180	230	60	200	10	75
FLX-PRO-P-75-12	600	180	230	60	200	12	75
FLX-PRO-P-90-10	600	200	240	60	200	10	90
FLX-PRO-P-90-12	720	200	240	60	200	12	90

# Shutoff dampers FLX-DAS...

[Download Wentyle](#)  
[Download AlnorCAM](#)  
[Buy via B2B](#)



## Dimensions



## Description

FLX-DAS damper may be used wherever a tight seal is not required.

Its main function is to adjust the air flow. Damper adjustment angle range is 90°. FLX-DAS dampers are made of galvanized steel.

On special request, it is possible to make the plenum boxes using stainless steel.

### Example

Product code: **FLX-DAS - 75**

type \_\_\_\_\_  
diameter \_\_\_\_\_

code	d1 [mm]	L [mm]
FLX-DAS-75	75	110
FLX-DAS-90	90	110

# Tight shutoff dampers **FLX-DAT...**

[Download Wentyle](#)  
[Download AlnorCAM](#)  
[Buy via B2B](#)



## Description

FLX-DAT damper may be used wherever a tight seal is required. Its main function is to shut off the air flow. Damper adjustment angle range is 90°.

FLX-DAS dampers are made of galvanized steel.

On special request, it is possible to make the plenum boxes using stainless steel.

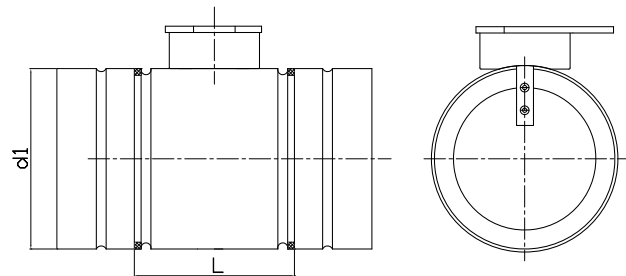
### Example

Kod produktu: **FLX - DAT - 75**

type

diameter

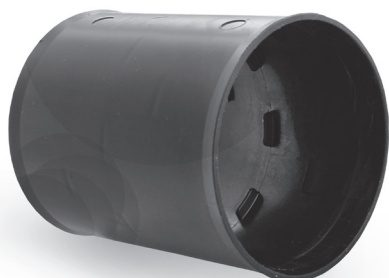
## Dimensions



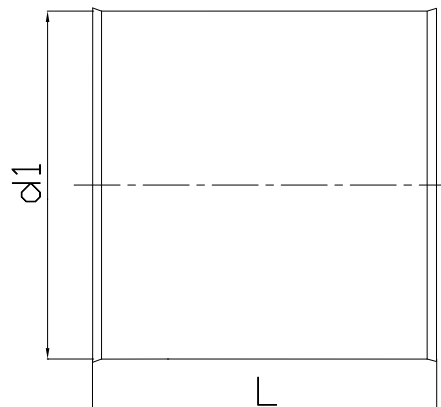
code	d1 [mm]	L [mm]
FLX-DAT-75	75	110
FLX-DAT-90	90	110

# Sleeve couplings FLX-MSF...

[Download Wentyle](#)  
[Download AlnorCAM](#)  
[Buy via B2B](#)



## Dimensions



## Description

FLX-MSF sleeve coupling is used to connect FLX-HDPE and FLX-HDPE-A ducts. To maintain the tightness of the entire system, we recommend to purchase two FLX-USZ EPDM washers.

### Example

Product code: **FLX-MSF - 75**

type \_\_\_\_\_  
 diameter \_\_\_\_\_

code	d1 [mm]	L [mm]
FLX-MSF-75	75	100
FLX-MSF-90	90	100

# Washers

# FLX-USZ...



## Description

FLX-USZ washers are used for sealing connections. Based on their intended application, they are made of EPDM or foam. FLX-USZ-75/ FLX-USZ-90 - made of EPDM plastic, is used to seal duct connection points

FLX-USP-75/ FLX-USP-90 - made of foam is used to seal plenum box-duct connections. On special request, it is possible to make FLX-UST-75 i FLX-UST-90 washers.

FLX-UST-75/ FLX-UST-90 - is a thermo-shrink washer to connect and seal two ducts or a plenum box and a duct.

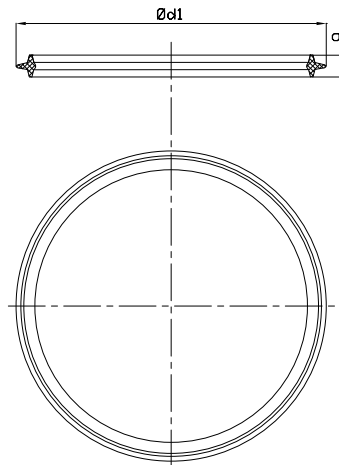
### Example

Product code: **FLX-USZ - 75**

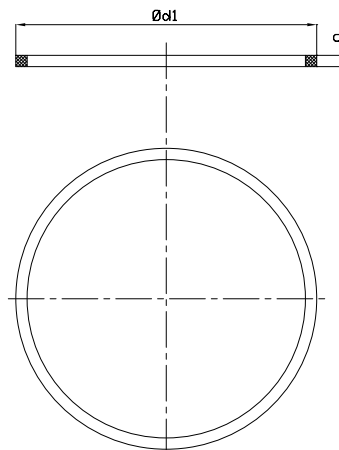
type \_\_\_\_\_  
 diameter \_\_\_\_\_

## Dimensions

FLX-USZ-75



FLX-USP-75



code	d1 [mm]	g [mm]
FLX-USZ-75	78	8
FLX-USP-75	75	6
FLX-USZ-90	93	8
FLX-USP-90	90	6

# Fastening bases FLX-FAX...



## Description

FLX-FAX fastening bases enable easy installation of ducts at the 90o angle. At the same time, they support the ducts and keep them in place, e.g. when the floor is filled with concrete. The FLX-FAX base is made of galvanized steel. On special request, it is possible to make the fastening base using stainless steel.

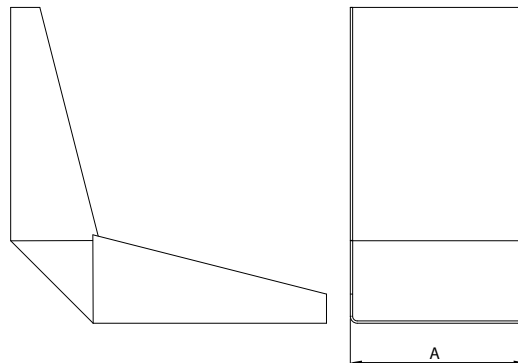
### Example

Product code **FLX-FAX - 75 - 2**

type  
diameter  
connections



## Dimensions



code	A [mm]
FLX-FAX-75	80
FLX-FAX-75-2	155
FLX-FAX-90	95
FLX-FAX-90-2	190

# Hole plugs CS-PVC...

[Download Wentyle](#)  
[Download AlnorCAM](#)  
[Buy via B2B](#)



## Description

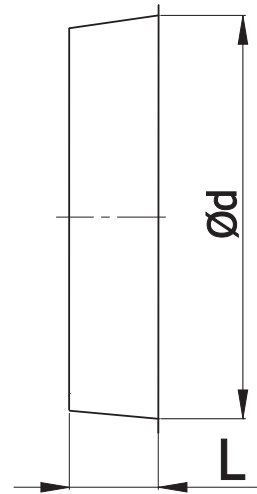
CS-PVC hole plug are dedicated stops for FLX-HDPE and FLX-HDPE-A ducts.  
FLX-CS plugs are made of PVC plastic.

### Example

Product code: **CS-PVC - 75**

type \_\_\_\_\_  
diameter \_\_\_\_\_

## Dimensions



code	d1 [mm]	L [mm]
CS-PVC-75	75	20
CS-PVC-90	90	20